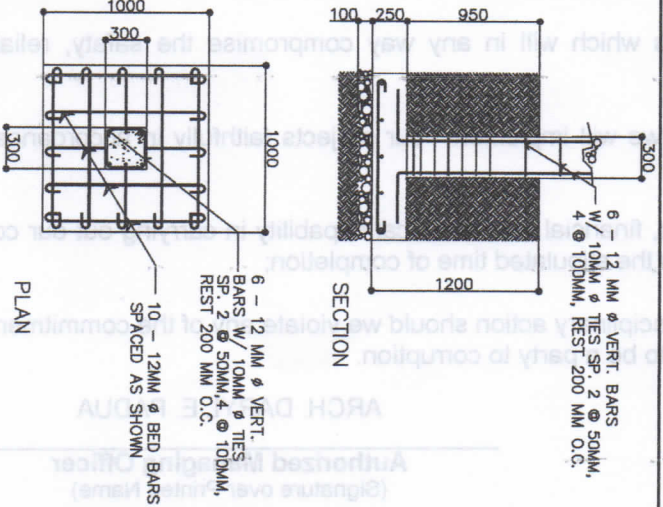
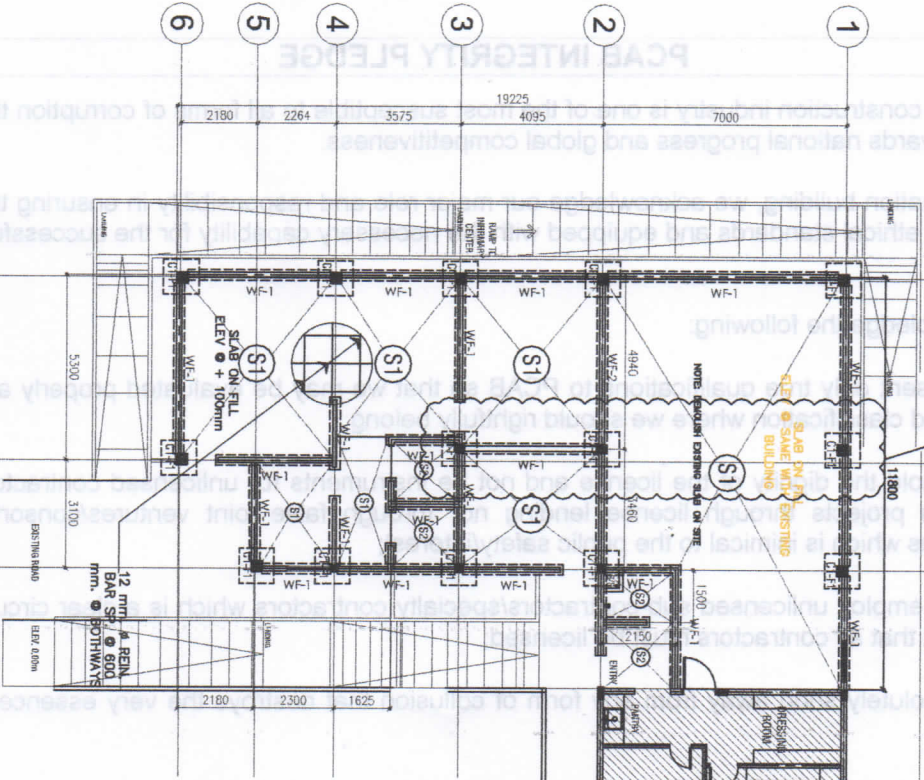


NOTE: ADDITIONAL 3 COLUMN

SCHEDULE OF BEAMS

BEAM DESIGNATION	WIDTH (mm)	DEPTH (mm)	LOCATION	RIGHT SUPPORT	MIDSPAN	RIGHT SUPPORT	10mmØ STRIRUPS	WEB BAR	REMARKS
RB1	150	250	TOP	4 - 16 mmØ	2 - 16 mmØ	4 - 16 mmØ	10 @ 50 / 4 @ 100		CONVENTIONAL BEAM
			BOTTOM	2 - 16 mmØ	4 - 16 mmØ	2 - 16 mmØ	REST @ 200mm O.C.		



FOUNDATION PLAN  
SCALE: 1:100

DETAIL OF F1C1  
SCALE: 1:25

PROJECT: DOCONUT TISSUE CULTURE LABORATORY  
 LOCATION: KALIMUDAN LANE, UP MINDAWAO CAMPUS  
 OWNER: UNIVERSITY OF THE PHILIPPINES MINDAWAO  
 CONTRACTOR: NEWCON BUILDERS CONST. AND SUPPLY INC., MARK ANTHONY CONSTRUCTION, MAG CORPORATION  
 ADDRESS: [Blank]  
 SHEET CONTENTS: FOUNDATION PLAN, ROOF BEAM DETAILS  
 DESIGN CONSULTANTS: ARCHIT. DARIL PADUA  
 PREPARED BY: DARIL PADUA  
 CHECKED BY: [Blank]  
 DATE: JANUARY 13, 2017  
 APPROVED: [Blank]  
 DATE CHECKED: [Blank]  
 SHEET NO.: 01  
 JOB NO.: [Blank]  
 DATE: MM/DD/YYYY

APPROVED BY: DR. DARIL PADUA