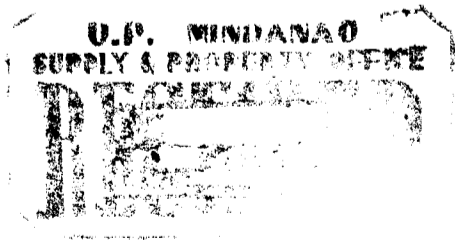
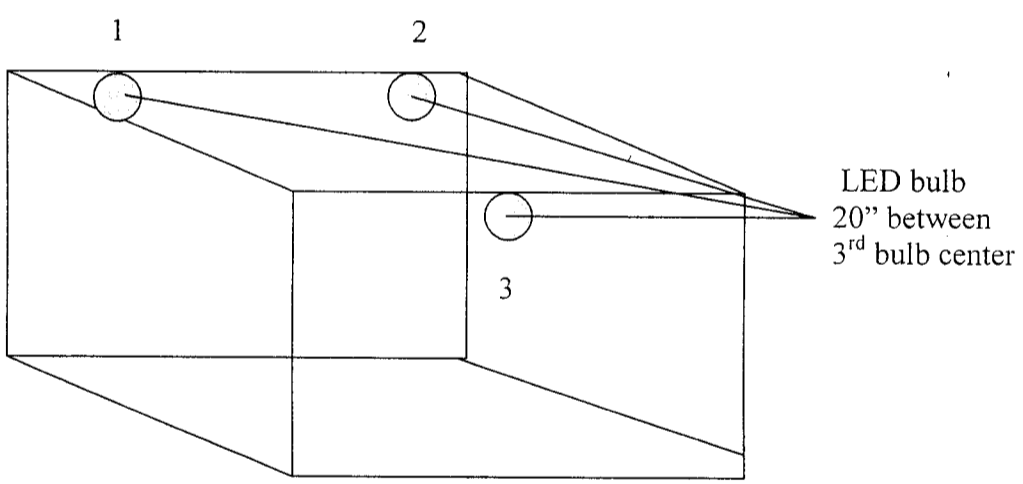
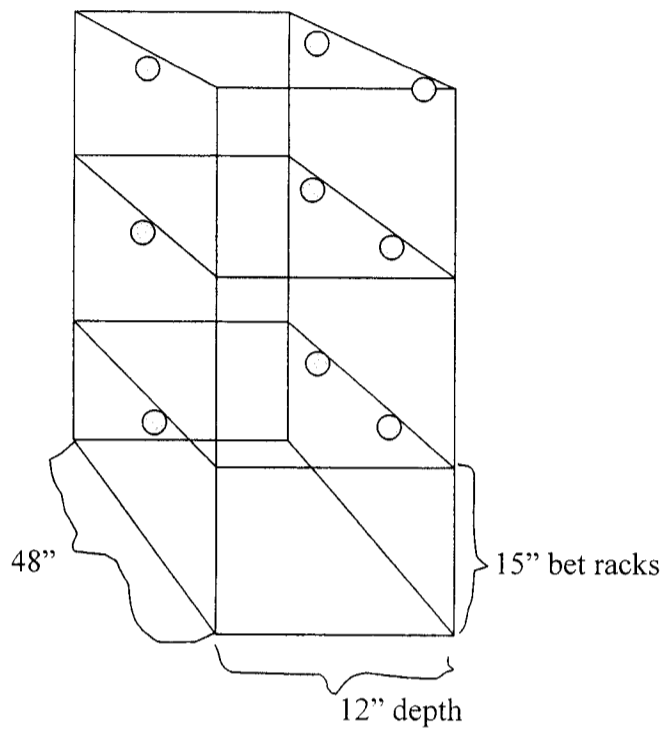


GSET PROJECT
LOT 2

Tissue culture shelf specification:

Three tiered 48" x 12" depth; 15 bet. Racks
With 3 pcs.LED bulb each layer. (9 WATTS LED)
Circuit breaker
Type: CBB – 2P
Calibration Temp. 40°C
Instantaneous trip type
Interrupting capacity 10KA



Tissue culture shelf specification:

Three tiered 48" x 12" depth; 15 bet. Racks

With 3 pcs.LED bulb each layer. (9 WATTS LED)

Circuit breaker

Type: CBB – 2P

Calibration Temp. 40°C

Instantaneous trip type

Interrupting capacity 10KA

